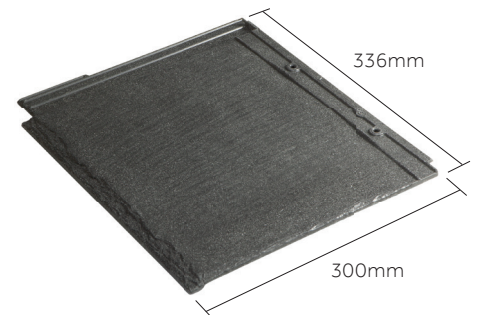


Cambrian Slate

Cambrian Slate has a proven track record even on pitches as low as 15° and, while light in weight, its unique three-point fixing makes it suitable for even the most exposed sites.

KEY ADVANTAGES

- Interlocking, reconstituted slate
- Riven surface and dressed edges
- Weathers like natural slate
- Four classic colours and finishes
- 60-year product guarantee
- Awarded BBA certification, number 874/1907



PRODUCT DATA

Size (overall)	330x336mm
Minimum Pitch and Headlap	15° at 75mm headlap/ 25° at 50mm headlap <small>(The minimum pitch is based on a maximum rafter length of 10 metres. For rafter lengths greater than this, please contact Technical Services on +44 (0) 330 123 4585)</small>
Maximum Pitch (subject to fixing specification)	90°
Minimum Headlap	50mm
Maximum Headlap	90mm
Minimum Gauge/Batten Spacing	210mm
Maximum Gauge/Batten Spacing	below 25° 225mm/25° and over 250mm
Hanging Length (approx.)	294mm
Cover (all figures are net and do not allow for wastage)	
Linear cover of 1 slate	300mm
Covering capacity	14.8 slates/m ² at 225mm gauge / 13.3 slates/m ² at 250mm gauge
Weight	18kg/m ² at 225mm gauge / 17kg/m ² at 250mm gauge
per pallet, including pallet (approx.)	0.76 tonnes
per 1000	1.24 tonnes
Battens Required (at max. gauge)	4.0m/m ²
Batten Size	
Rafter centres up to 450mm	38 x 25mm
Rafter centres up to 600mm	50 x 25mm
Fixing Clips	Eaves, Verge & Slate Clips
Nail Size for Slates*	30 x 2.65mm (S/S)
Pallet Quantities	Slates per pallet 600 / slates per pack 10 / packs per pallet 60

* (S/S) Stainless Steel Annular ring shanked



FITTINGS & ACCESSORIES

VERGE

Ambi-Dry Verge

HIP PRODUCTS

Universal Angle Hip
Dry Hip
Rapid Hip
Mitred Hip

VALLEY PRODUCTS

Cambrian GRP Valley
Dry Valley

RIDGE PRODUCTS

Universal Angle Ridge
Universal Angle Monoridge

VENTILATION SYSTEMS

RedVent EavesVent
RedVent 25 Over-Fascia Vent
Rapid EavesVent
Top Edge Abutment Ventilation
DryVent Ridge
Rapid Vented Ridge
Uni-Vent Rapid Ridge/Hip
DryVent Monoridge
4.5k ThruVent Tile



Cambrian Slate Product Codes

TILES

Standard Slate (shown above)	4701
Cambrian Slate-and-a-Half	4702
Cambrian Left-hand Verge Slate	4703
Cambrian Left-hand Verge Slate-and-a-Half	4704
Cambrian Double Slate	4705

UNDERLAYS

Spirtech 400 2S underlay	9202
Divoroll Elite 2S	9157
Divoroll Universal 2S	9156

EAVES PRODUCTS

RedVent EavesVent 350-450mm (6m)	9189
RedVent EavesVent 450-600mm (6m)	9190
Extension Trays 350-450mm (6m)	9498
Extension Trays 450-600mm (6m)	9499
Rapid EavesVent 2-in-1 Tray	9988
Rapid EavesVent Rafter Roll (6m)	9984
RedVent 25 Over-Fascia Vent (6m)	9593
Underlay Support Tray (1.5m)	9076

VERGE PRODUCTS

Ambi-Dry Verge II (10)	9488
Ambi-Dry Eaves/Ridge	9491

HIP PRODUCTS

Cambrian Mitred Hip II (10 courses)	9504
Dry Hip (2.7m)	9048
Continuous Hip (5m)	9503
Uni-Vent Rapid Ridge/Hip (10m)	9313
Uni-Vent Rapid Hip Support Tray (1.2m)	9069
Universal Angle Hip/Ridge Junction	9520
Universal Angle Hip (without nail holes)	7777
Universal Angle Hip (with nail holes)	7778
Hip Iron	9258
Universal Angle Block-End Hip	7779
Mortar Bedded Fixing Kit	9314

VALLEY PRODUCTS

Cambrian GRP Valley (3m))	9553
Dry Valley (Low Profile)(3m)	9575

ABUTMENT PRODUCTS

Wakaflex Rapid Flashing	
Top Edge Abutment Ventilation Pack (3m)	9548
Abutment GRP Secret Gutter (3m)	9596
Bonding Gutter (Low Profile) (3m)	9580
Bonding Gutter (High Profile) (3m)	9578

RIDGE PRODUCTS

DryVent Ridge (2.7m)	9059
Uni-Vent Rapid Ridge/Hip (10m)	9313
Continuous Ridge (5m)	9308
Ridge Vent Terminal	7254
Terminal Adaptor	9175
Flexible Pipe (100 to 100mm)	9172
Gas Flue Ridge Terminal	7242
Gas Flue Extension Adaptor	9143
Gas Flue Blanking Plates	9099
Universal Angle Ridge	7146
Hi-Pitch Universal Angle Ridge	7151
Universal Angle Block-End Ridge	7518
DryVent Monoridge (2.7m)	9084
Universal Angle Monoridge	7148
Universal Angle Block-End Monoridge LH	7297
Universal Angle Block-End Monoridge RH	7298
Universal Angle Monoridge End Cap LH	9778
Universal Angle Monoridge End Cap RH	9779
Mortar Bedded Fixing Kit	9314
Universal Angle Ridge End Cap	9773

UNIVERSAL ANGLE RIDGE END CAP

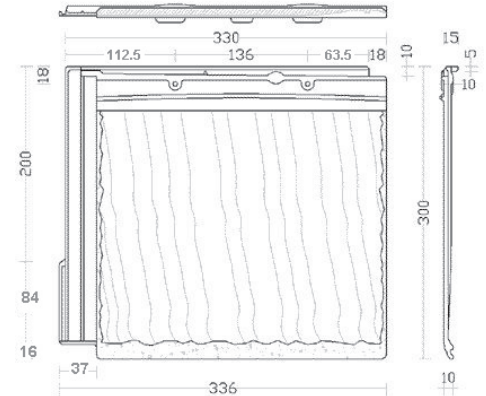
4.5k ThruVent Tile	7705
Flexible Pipe (75 to 100mm)	9188
Hi-Flow ThruVent Tile	7349

FIXING

Eaves Clip and nails (50)	9192
Slate Clip and nails (100)	9196
Verge Clip and nails (20)	9193

OTHER ACCESSORIES

Slate Replacement Kit	9554
-----------------------	------



BMI UK & Ireland
 BMI House,
 2 Pitfield, Kiln Farm,
 Milton Keynes, MK11 3LW
 +44 (0) 3705 601000

www.bmigroup.com/uk

We are committed to continuously enhancing and improving our product range. We reserve the right to change our product specifications. We reserve the right to correct any typographical or clerical error or omission. For the latest information contact customer service.